



4K High Resolution Zoom Lens

The new 4K high resolution zoom lens not only has excellent imaging quality, but provide wider FOV and faster and better. The new one is 1.45 times larger than the FOV of the traditional zoom system.

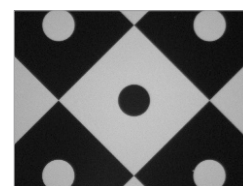
PRODUCT ADVANTAGES

- 1.Support camera with 1" sensor.
- 2.Horizontal resolution up to 4K with 1" sensor.
- 3.0.68X~5X magnification, meet different measurement requirement.
- 4.Modular design, optional TV adapters and lens attachments and other module component.

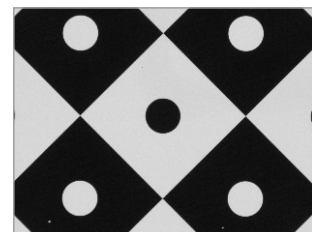
APPLICATION FIELDS

Widely used in biology, electronic, semiconductor, machine vision field, etc.

ACTUAL IMAGE



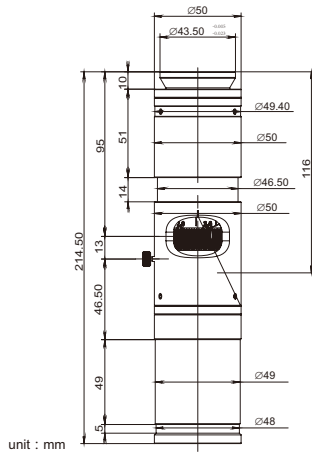
Ordinary Zoom Lens 5X



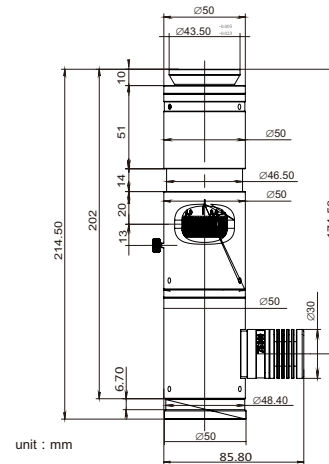
4K High Resolution Zoom Lens 5X

Magnification range	0.68X-5.0X						
W.D.(mm)	80						
Magnification	0.68X	1.0X	2.0X	3.0X	4.0X	5.0X	
DOF(mm)	1.78	0.89	0.25	0.12	0.08	0.07	
N.A.	0.033	0.045	0.08	0.11	0.12	0.12	
F.No.	10.3	11.0	12.4	13.5	16.5	20.6	
Resolution(μm)	10.17	7.46	4.19	3.05	2.8	2.8	
TV Distortion	< 0.02%	< 0.02%	< 0.02%	< 0.02%	< 0.02%	< 0.02%	
Field of view size (mm)	1"	23.53×18.82×14.12	16.0×12.8×9.6	8.0×6.4×4.8	5.33×4.27×3.2	4.0×3.2×2.4	3.2×2.56×1.92
	2/3"	16.18×12.94×9.71	11.0×8.8×6.6	5.5×4.4×3.3	3.67×2.93×2.2	2.75×2.2×1.65	2.2×1.76×1.32
	1/2"	11.76×9.41×7.06	8.0×6.4×4.8	4.0×3.2×2.4	2.67×2.13×1.6	2.0×1.6×1.2	1.6×1.28×0.96
	1/3"	8.82×7.06×5.29	6.0×4.8×3.6	3.0×2.4×1.8	2.0×1.6×1.2	1.5×1.2×0.9	1.2×0.96×0.72
MAX.Sensor Size	1"						
Length(mm)	328						
Zoom mode	Manual / Motorized						
Mount	C-Mount						

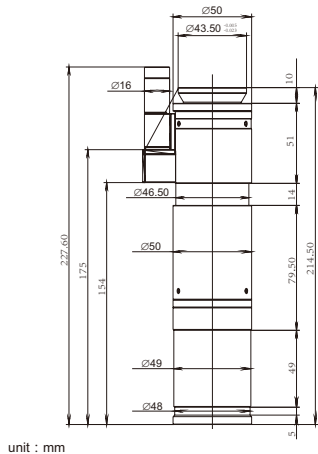
PMS-K75D



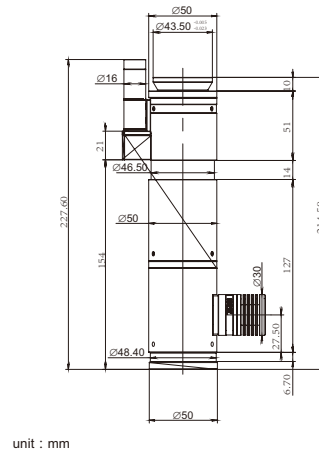
PMS-K75D-C



PMS-K75M



PMS-K75M-C





Field of view range

Objective category		0.5X Adapter Tube		0.75X Adapter Tube		1.0X Adapter Tube		1.5X Adapter Tube		2.0X Adapter Tube		
		Low magnification	High magnification	Low magnification	High magnification	Low magnification	High magnification	Low magnification	High magnification	Low magnification	High magnification	
0.25X	Magnification	0.09	0.63	0.12	0.88	0.17	1.25	0.26	1.88	0.34	2.50	
	Camera target	1/2"	94.1×75.3×56.5	12.8×10.2×7.7	67.2×53.8×40.3	9.1×7.3×5.5	47.1×37.6×28.2	6.4×5.1×3.8	31.4×25.1×18.8	4.3×3.4×2.6	23.5×18.8×14.1	3.2×2.6×1.9
		2/3"	-	-	92.4×73.9×55.5	12.6×10.1×7.5	64.7×51.8×38.8	8.8×7.0×5.3	43.1×34.5×25.9	5.9×4.7×3.5	32.4×25.9×19.4	4.4×3.5×2.6
		1"	-	-	-	-	94.1×75.3×56.5	12.8×10.2×7.7	62.7×50.2×37.6	8.5×6.8×5.1	47.1×37.6×28.2	6.4×5.1×3.8
		4/3"	-	-	-	-	-	-	86.3×69.0×51.8	11.7×9.4×7.0	64.7×51.8×38.8	8.8×7.0×5.3
		32mm	-	-	-	-	-	-	-	-	94.1×75.3×56.5	12.8×10.2×7.7
0.5X	Magnification	0.17	1.25	0.24	1.75	0.34	2.50	0.51	3.75	0.68	5.00	
	Camera target	1/2"	47.1×37.6×28.2	6.4×5.1×3.8	33.6×26.9×20.2	4.6×3.7×2.7	23.5×18.8×14.1	3.2×2.6×1.9	15.7×12.5×9.4	2.1×1.7×1.3	11.8×9.4×7.1	1.6×1.3×1.0
		2/3"	-	-	46.2×37.0×27.7	6.3×5.0×3.8	32.4×25.9×19.4	4.4×3.5×2.6	21.6×17.3×12.9	2.9×2.3×1.8	16.2×12.9×9.7	2.2×1.8×1.3
		1"	-	-	-	-	47.1×37.6×28.2	6.4×5.1×3.8	31.4×25.1×18.8	4.3×3.4×2.6	23.5×18.8×14.1	3.2×2.6×1.9
		4/3"	-	-	-	-	-	-	41.8×33.5×25.1	5.7×4.6×3.4	31.4×25.1×18.8	4.3×3.4×2.6
		32mm	-	-	-	-	-	-	-	-	47.1×37.6×28.2	6.4×5.1×3.8
0.75X	Magnification	0.26	1.88	0.36	2.63	0.51	3.75	0.77	5.63	1.02	7.50	
	Camera target	1/2"	31.4×25.1×18.8	4.3×3.4×2.6	22.4×17.9×13.4	3.0×2.4×1.8	15.7×12.5×9.4	2.1×1.7×1.3	10.5×8.4×6.3	1.4×1.1×0.9	7.8×6.3×4.7	1.1×0.9×0.6
		2/3"	-	-	30.8×24.6×18.5	4.2×3.4×2.5	21.6×17.3×12.9	2.9×2.9×1.8	14.4×11.5×8.6	2.0×1.6×1.2	10.8×8.6×6.5	1.5×1.2×0.9
		1"	-	-	-	-	31.4×25.1×18.8	4.3×3.4×2.6	20.9×16.7×12.5	2.8×2.3×1.7	15.7×12.5×9.4	2.1×1.7×1.3
		4/3"	-	-	-	-	-	-	28.8×23.0×17.3	3.9×3.1×2.3	21.6×17.3×12.9	2.9×2.3×1.8
		32mm	-	-	-	-	-	-	-	-	31.4×25.1×18.8	4.3×3.4×2.6
1.0X	Magnification	0.34	2.50	0.48	3.50	0.68	5.00	1.02	7.50	1.36	10.0	
	Camera target	1/2"	23.5×18.8×14.1	3.2×2.6×1.9	16.8×13.4×10.1	2.3×1.8×1.4	11.8×9.4×7.1	1.6×1.3×1.0	7.8×6.3×4.7	1.1×0.9×0.6	5.9×4.7×3.5	0.8×0.6×0.5
		2/3"	-	-	23.1×18.5×13.9	3.1×2.5×1.9	16.2×12.9×9.7	2.2×1.8×1.3	10.8×8.6×6.5	1.5×1.2×0.9	8.1×6.5×4.9	1.1×0.9×0.7
		1"	-	-	-	-	23.5×18.8×14.1	3.2×2.6×1.9	15.7×12.5×9.4	2.1×1.7×1.3	11.8×9.4×7.1	1.6×1.3×1.0
		4/3"	-	-	-	-	-	-	21.6×17.3×12.9	2.9×2.3×1.8	16.2×12.9×9.7	2.2×1.8×1.3
		32mm	-	-	-	-	-	-	-	-	23.5×18.8×14.1	3.2×2.6×1.9
1.25X	Magnification	0.43	3.13	0.60	4.38	0.85	6.25	1.28	9.38	1.70	12.5	
	Camera target	1/2"	18.8×15.1×11.3	2.6×2.0×1.5	13.4×10.8×8.1	1.8×1.5×1.1	9.4×7.5×5.6	1.3×1.0×0.8	6.3×5.0×3.8	0.9×0.7×0.5	4.7×3.8×2.8	0.6×0.5×0.4
		2/3"	-	-	18.5×14.8×11.1	2.5×2.0×1.5	12.9×10.4×7.8	1.8×1.4×1.1	8.6×6.9×5.2	1.2×0.9×0.7	6.5×5.2×3.9	0.9×0.7×0.5
		1"	-	-	-	-	18.8×15.1×11.3	2.6×2.0×1.5	12.5×10.0×7.5	1.7×1.4×1.0	9.4×7.5×5.6	1.3×1.0×0.8
		4/3"	-	-	-	-	-	-	17.3×13.8×10.4	2.3×1.9×1.4	12.9×10.4×7.8	1.8×1.4×1.1
		32mm	-	-	-	-	-	-	-	-	18.8×15.1×11.3	2.6×2.0×1.5
1.5X	Magnification	0.51	3.75	0.71	5.25	1.02	7.50	1.53	11.25	2.04	15.0	
	Camera target	1/2"	15.7×12.5×9.4	2.1×1.7×1.3	11.2×9.0×6.7	1.5×1.2×0.9	7.8×6.3×4.7	1.1×0.9×0.6	5.2×4.2×3.1	0.7×0.6×0.4	3.9×3.1×2.4	0.5×0.4×0.3
		2/3"	-	-	15.4×12.3×9.2	2.1×1.7×1.3	10.8×8.6×6.5	1.5×1.2×0.9	7.2×5.8×4.3	1.0×0.8×0.6	5.4×4.3×3.2	0.7×0.6×0.4
		1"	-	-	-	-	15.7×12.5×9.4	2.1×1.7×1.3	10.5×8.4×6.3	1.4×1.1×0.9	7.8×6.3×4.7	1.1×0.9×0.6
		4/3"	-	-	-	-	-	-	14.4×11.5×8.6	2.0×1.6×1.2	10.8×8.6×6.5	1.5×1.2×0.9
		32mm	-	-	-	-	-	-	-	-	15.7×12.5×9.4	2.1×1.7×1.3
2.0X	Magnification	0.68	5.00	0.95	7.00	1.36	10.0	2.04	15.0	2.72	20.0	
	Camera target	1/2"	11.8×9.4×7.1	1.6×1.3×1.0	8.4×6.7×5.0	1.1×0.9×0.7	5.9×4.7×3.5	0.8×0.6×0.5	3.9×3.1×2.4	0.5×0.4×0.3	2.9×2.4×1.8	0.4×0.3×0.2
		2/3"	-	-	11.6×9.2×6.9	1.6×1.3×0.9	8.1×6.5×4.9	1.1×0.9×0.7	5.4×4.3×3.2	0.7×0.6×0.4	4.0×3.2×2.4	0.6×0.4×0.3
		1"	-	-	-	-	11.8×9.4×7.1	1.6×1.3×1.0	7.8×6.3×4.7	1.1×0.9×0.6	5.9×4.7×3.5	0.8×0.6×0.5
		4/3"	-	-	-	-	-	-	10.8×8.6×6.5	1.5×1.2×0.9	8.1×6.5×4.9	1.1×0.9×0.7
		32mm	-	-	-	-	-	-	-	-	11.8×9.4×7.1	1.6×1.3×1.0