

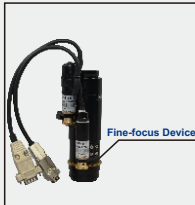
6.5X Zoom Lens Series

PMS-Z65M-CH12M

1. Motorized, motorized fine-focus 12mm
2. Telecentric optical design. Magnification range: 0.7x-4.5x, magnification ratio is 6.5:1
3. Field of view: 2.444-15.714mm (based on 2/3" CCD)
4. Excellent performance, with high resolution, low distortion and super big N.A.
5. Compact design, easy assembly and installation.
6. Keep stability even in the harsh vibrating environment.



Function and Feature



■ Motorized Fine-focus Device

- Seamless combination, for large range internal focusing: 12mm
- Precision mechanical structure Move smoothly
- Excellent sharp image



■ Motorized Zoom

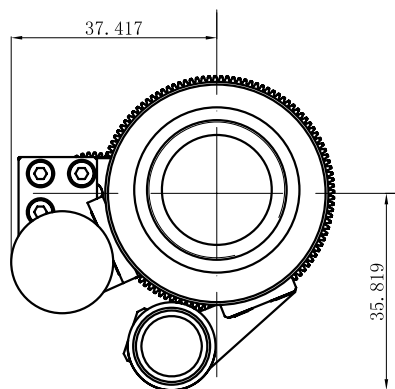
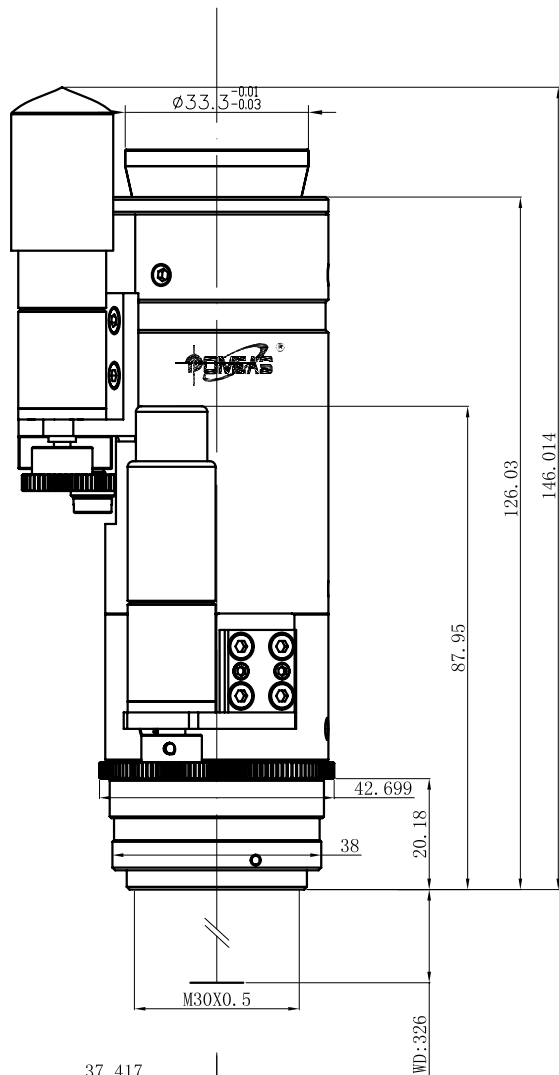
- High speed in zoom and focus and high accuracy in repetitive positioning
- Imported DC servo motor, closed-loop control
- Stable quality even in the strong vibration environment



■ Motorized Controller

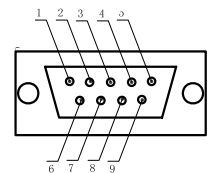
- The integrated motorized control systems are available for all the POMEAS zoom lenses.
- Motorized controlling system can control single or dual channels via RS232 or USB;
- Underlying sourcing code will be provided.

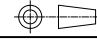
Code		PMS-Z65M-CH12M								
Type		Dual-motor Motorized Zoom								
Optical Magnification Range		0.7X~4.5X								
Working Distance		90 ± 2mm								
Optical Magnification		0.7X	1.0X	1.5X	2.0X	2.5X	3.0X	3.5X	4.0X	4.5X
DOF (mm)		1.9	0.952	0.44	0.29	0.23	0.16	0.13	0.12	0.1
N. A.		0.03	0.042	0.06	0.07	0.07	0.085	0.085	0.085	0.085
F. No.		11.6	2.1	12.5	14.2	17.8	17.6	20.5	23.5	26.5
Resolution (um)		11.18	7.99	5.59	4.79	4.79	3.95	3.95	3.95	3.95
TV Distortion		0.019%	0.035%	0.002%	0.003%	0.004%	0.001%	0.001%	0.002%	0.002%
Field of View (DxHxV) (mm)	2/3"	15.71×12.57×9.43	11.00×8.80×6.60	7.33×5.87×4.40	5.50×4.40×3.30	4.40×3.52×2.64	3.67×2.93×2.20	3.14×2.51×1.89	2.75×2.20×1.65	2.44×1.96×1.47
	1/2"	11.43×9.14×6.86	8.00×6.40×4.80	5.33×4.27×3.20	4.00×3.20×2.40	3.20×2.56×1.92	2.67×2.13×1.60	2.29×1.83×1.37	2.00×1.60×1.20	1.78×1.42×1.07
	1/3"	8.57×6.86×5.14	6.00×4.80×3.60	4.00×3.20×2.40	3.00×2.40×1.80	2.40×1.92×1.44	2.00×1.60×1.20	1.71×1.37×1.03	1.50×1.20×0.90	1.33×1.07×0.80
Max. Sensor Size		2/3"								
Mount		C-Mount								
Zoom Control		Motorized zoom								
Focus Control		Motorized 12mm								



Motor wiring diagram

1. Motor winding negative pole.
2. GND
3. Motor winding positive pole
4. Code output chanel A
5. Null
6. Code power input (+5V)
7. Null
8. Code output chanel B
9. Null



Unit: mm	Scale	1:1
	Name	PMS-Z65M-CH12M
0.0 inch 1.0	Date	2013.10.23
0.0 mm 25.0	POMEAS	