

Pomeas TTC Standard Telecentric Lens Series

PMS-GX10-94

- 1.Support 2MP camera or below.
- 2.Low distortion,high telecentricity and deep depth of field, more suitable for high precision positioning and measuring.
- 3.Telecentric design.
- 4.Support 1/4" sensor.



MAX.Sensor Size
1/4"

Magnification
10X

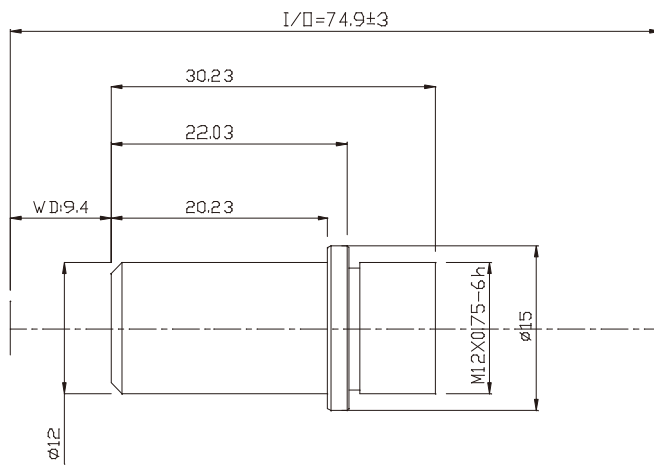
Working Distance
9.4mm


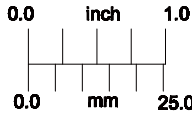
Resolution
1.2μm

M12

| Code | | PMS-GX10-94 |
|---------------------|--------|---------------|
| Magnification | | 10X |
| Field of View | 1/4" | 0.32mm×0.24mm |
| | 1/3" | -- |
| | 1/2.5" | -- |
| | 1/2.3" | -- |
| | 1/2" | -- |
| | 1/1.8" | -- |
| | 2/3" | -- |
| Working Distance | | 9.4mm |
| Resolution | | 1.2μm |
| F.NO. | | 17.768 |
| TV Distortion | | 0.06% |
| Depth of Field*1 | | 0.014mm |
| N.A. | | 0.28 |
| MAX.Sensor Size | | 1/4" |
| Mount | | M12 |
| Illumination | | -- |
| Working Temperature | | -10°C~+50°C |

*1 : Theoretical calculating value(based on diameter of defocused spots is 0.04mm),in the reality application, take its 1/2 will gain the be steffect.



| | | |
|--|--------------|--------------------|
| Unit:mm | Scale | 2:1 |
|  | Name | PMS-GX10-94 |
|  | Date | 2013.10.21 |
| POMEAS | | |